

SERVER LIFTERS

Battery & Manually Operated Server Lifters



EDP Server Lifters

The range of server lifters from EDP Europe are designed to tackle the challenges of manoeuvring IT equipment around the data centre environment. Unlike the more traditional bulky server lifting alternatives, our range of server lifters are both lightweight and portable and easy to operate.

Battery Operated Server Lifters

Classic Range



The Classic range of EDP battery operated server lifters are manufactured using lightweight aluminium and rigid steel, and finished with a two part epoxy resin coat. All models include sealed-for-life, maintenance free 24 volt batteries that feature an integral auto cut-off charger. Operation is via a push button controller that can be hand held or used from its handle-mounted holster.

Features & Benefits

- Models are available with standard height or extending masts for extra reach.
- Dual speed elevation and descent for controlled lifting.
- Attractive design with soft grip bull bar handles.
- Battery charge meter.
- Stainless steel bearings are fitted in the four non-marking all-swivelling wheels, rear wheels all have total stop brakes.
- Trip mechanism prevents descending lift lowering onto any obstacle.
- Provides greater protection to equipment and operators during installation process.
- Available in a choice of lifting capacities that ranges from 80Kg to 400Kg.
- Maximum height reach of 1760mm (39U) on the 80Kg extended mast model (49-SL-85EM).
- Most available from stock for short lead-time.



Available models are shown in the table below.

Part Number	Weight Capacity	Lowered Height	Raised Height	Platform (WxD)	Weight
49-SL-85	85Kg	125mm	1440mm (32U)	600mm x 470mm	39Kg
49-SL-85EM	80Kg	125mm	1760mm (39U)	600mm x 470mm	42Kg
49-SL-105	105Kg	130mm	1345mm (30U)	600mm x 470mm	42Kg
49-SL-105EM	100Kg	130mm	1655mm (37U)	600mm x 470mm	45Kg
49-SL-155	155Kg	130mm	1345mm (30U)	600mm x 470mm	43Kg
49-SL-155EM	150Kg	130mm	1655mm (37U)	600mm x 470mm	45Kg
49-SL-205	205Kg	105mm	1320mm (29U)	560mm x 600mm	64Kg
49-SL-250	250Kg	105mm	1320mm (29U)	560mm x 600mm	105Kg
49-SL-400	400Kg	85mm	1700mm (38U)	Forks 650mm x 100mm	138Kg



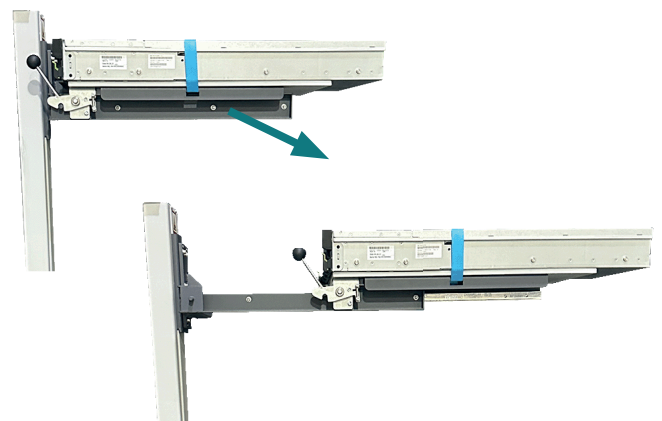
49-SL-250



49-SL-105

Telescopic Platform

The optional Telescopic Platform is available for Classic and Slim-Line server lifter models. This optional platform has been specifically designed for the installation of servers into Data Centre racks. The platform extends the reach by an additional 300mm. Using this platform does effect weight capacity of the lifter it is attached to, and may also require counter weights fitted to the lifter.



Slim-Line Lite Range



The Slim-Line Lite range of server lifters offer outstanding manoeuvrability, intuitive control unit and stylish appearance.

Features & Benefits

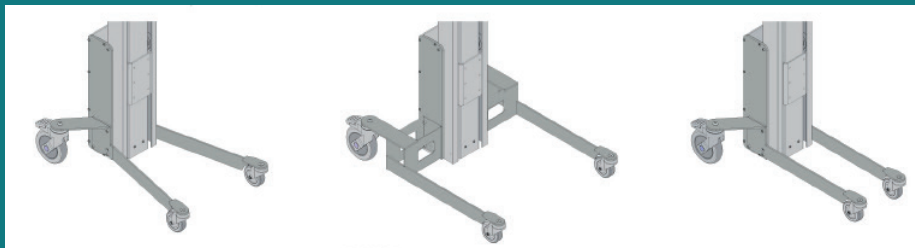
- Designed in steel with a powder-coated structural paint finish, which provides a highly resistant surface
- Fast lifting time of 120mm/second.
- Ergonomic handle with different grip surfaces to ensure a natural position when manoeuvring the lift.
- Removable control unit, located between the handle, has an integrated emergency stop and a non-slip grip.
- Single brakes on wheels or central brake depending on model.
- Reinforced toothed belt for high operational safety.
- All moving parts are shielded; for safer handling.
- All models have a soft start and stop.
- Host of accessories to adapt the server lifter for other lifting purposes.
- Supplied with standard platform. Optional roller or telescopic platforms available.
- Slim-Line Lite range lifts up to 85Kg*.

*Model dependant

Available models are shown in the table below.

Part Number	Weight Capacity	Lowered Height	Raised Height	Platform (WxD)	Weight
49-SL-55XS	55Kg	55mm (1.2U)	1020mm (22.9U)	500mm x 500mm	33Kg
49-SL-55S	55Kg	55mm (1.2U)	1255mm (28.2U)	500mm x 500mm	35Kg
49-SL-55M	55Kg	55mm (1.2U)	1655mm (37.2U)	500mm x 500mm	37Kg
49-SL-65XS	65Kg	55mm (1.2U)	1020mm (22.9U)	500mm x 500mm	37Kg
49-SL-65S	65Kg	55mm (1.2U)	1255mm (28.2U)	500mm x 500mm	39Kg
49-SL-65M	65Kg	55mm (1.2U)	1655mm (37.2U)	500mm x 500mm	41Kg
49-SL-85S	85Kg	60mm (1.35U)	1280mm (28.8U)	500mm x 500mm	45Kg
49-SL-85M	85Kg	60mm (1.35U)	1660mm (37.3U)	500mm x 500mm	48Kg
49-SL-85L	85Kg	60mm (1.35U)	2110mm (47.5U)	500mm x 500mm	60Kg

Leg Frames For SL-55, SL-65 & SL-85 Series



Angled Leg Frame

The unique design gives you free foot space, optimum stability and absolutely the best manoeuvrability.

Available for all models except for 49-SL-85S, 49-SL-85M and 49-SL-85L.

Box Leg Frame

Allows forks to go all the way down to the floor, used to lift plastic boxes etc.

Available for all models.

Straight Leg Frame

The narrow legs give the lift trolley access to run in under the pallets and chassis. Used where boxes or other goods must be lifted directly from pallets.

Available for all models except 49-SL-85L.

Slim-Line HD Range



Lifter Fitted with Optional Roller Platform

The Slim-Line HD range of server lifters provide heavy duty lifting whilst still offering outstanding manoeuvrability, with a stable and flexible design.

Features & Benefits

- Designed in steel with a powder-coated structural paint finish, which provides a highly resistant surface
- Fast lifting time of 120mm/second.
- Ergonomic handle with different grip surfaces to ensure a natural position when manoeuvring the lift.
- Removable control unit, located between the handle, has an integrated emergency stop and a non-slip grip.
- Single brakes on wheels or central brake depending on model.
- Reinforced toothed belt for high operational safety.
- All moving parts are shielded; for safer handling.
- All models have a soft start and stop.
- Host of accessories to adapt the server lifter for other lifting purposes.
- Supplied with standard platform. Optional roller or telescopic platforms available.
- Slim-Line HD range lifts up to 285Kg*.

*Model dependant



49-SL-125S



49-SL-285M

Available models are shown in the table below.

Part Number	Weight Capacity	Lowered Height	Raised Height	Platform (WxD)	Weight
49-SL-125S	125Kg	60mm (1.35U)	1280mm (28.8U)	500mm x 500mm	58Kg
49-SL-125M	125Kg	60mm (1.35U)	1660mm (37.3U)	500mm x 500mm	60Kg
49-SL-125L	110Kg	60mm (1.35U)	2110mm (47.5U)	500mm x 500mm	63Kg
49-SL-205S	205Kg	60mm (1.35U)	1240mm (27.9U)	500mm x 500mm	86Kg
49-SL-205M	205Kg	60mm (1.35U)	1620mm (36.4U)	500mm x 500mm	89Kg
49-SL-205L	180Kg	60mm (1.35U)	2060mm (46.3U)	500mm x 500mm	94Kg
49-SL-285M	285Kg	125mm (2.8U)	1565mm (35.2U)	500mm x 500mm	151Kg

EDP ONE Micro-Lifter



The EDP ONE is a compact, lightweight and highly manoeuvrable lifting solutions. The slim and sleek design easily handles loads up to 60Kg.

Features & Benefits

- 60Kg capacity.
- 1330mm (29.9U) raised height.
- 130mm (2.9U) lowered height.
- Total height 1550mm.
- Platform size - 400mm x 400mm.
- 24v/10Ah rechargeable Lithium battery pack.
- Mast with motor and control unit.
- Lifting time of 110mm/sec.
- 31Kg self-weight.

EDPONE

Manual Server Lifters

The EDP manually operated server lifters provide a cost effective, maintenance free solution to moving and positioning IT equipment. The platform is easily raised and lowered with minimum effort using the "Easy Winch" system with models available to safely lift weights from 85Kg to 400Kg.



Features & Benefits

- Weight capacity ranges from 85Kg to 400Kg.
- Available in powder coated mild steel as standard.
- "Easy Winch" system is used to raise and lower the load safely with the minimum of manual effort.
- Automatic braking function prevents uncontrolled lowering.
- Lifts are remarkably manoeuvrable and extremely lightweight.
- All four wheels swivel and two are fitted with total stop brakes complete with toe guards.
- High level stability and durability.

Available models are shown in the table below.

Part Number	Weight Capacity	Lowered Height	Raised Height	Platform (WxD)	Weight
49-WPM-85	85Kg	140mm	1560mm (35U)	600mm x 470mm	34Kg
49-WPM-140	140Kg	130mm	1605mm (36U)	600mm x 500mm	45Kg
49-WPM-200	200Kg	130mm	1430mm (32U)	600mm x 500mm	55Kg
49-WPM-400	400Kg	85mm	1200mm (26U)	Forks 650mm x 100mm	84Kg
49-WPM-400EM	400Kg	85mm	1500mm (33U)	Forks 650mm x 100mm	90Kg
49-WPM-400EEM	400Kg	85mm	1700mm (38U)	Forks 650mm x 100mm	110Kg

