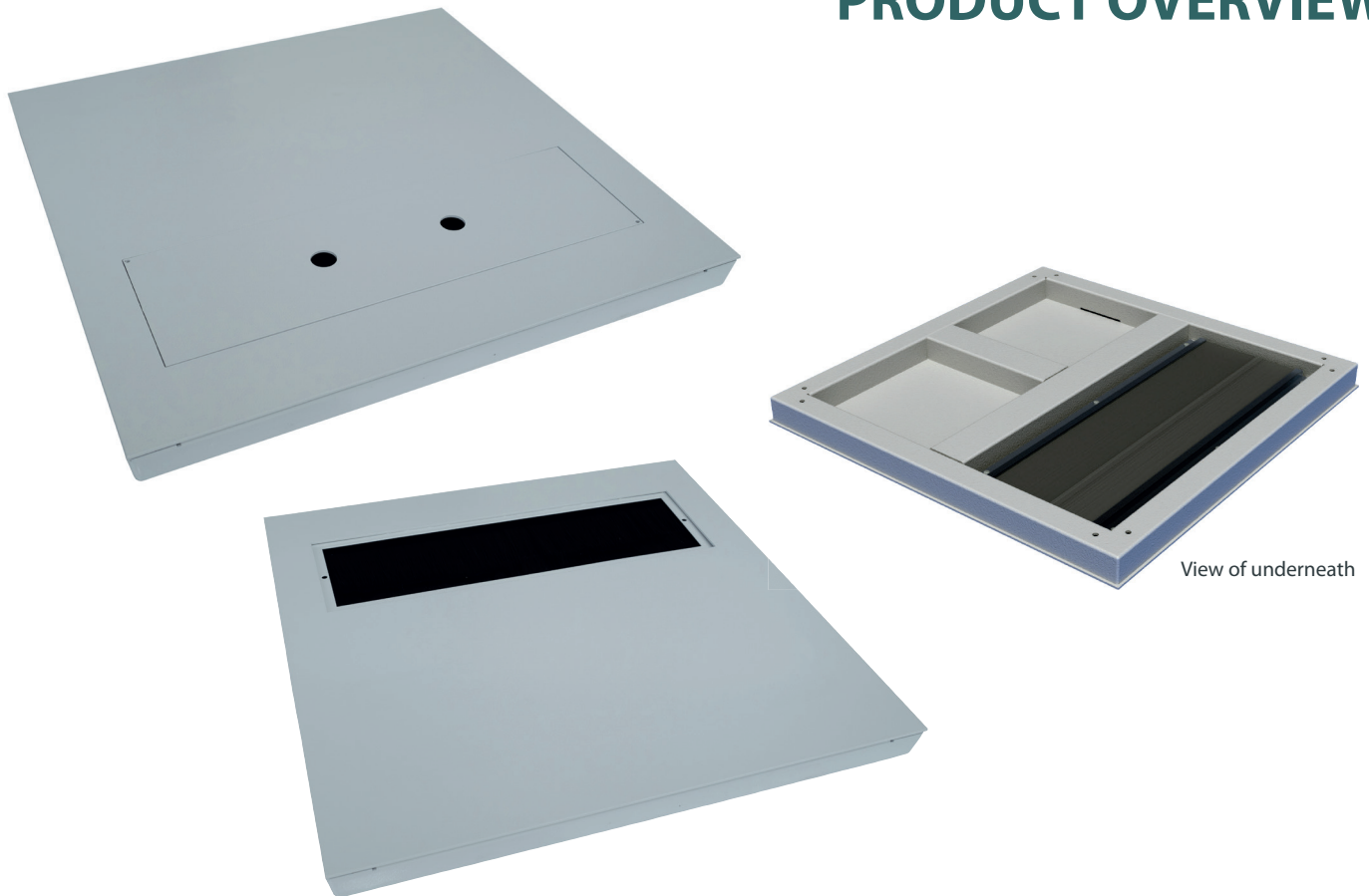


# 600 X 600 SINGLE OPENING FLOOR TILE

REPLACEMENT BRUSH FLOOR TILE

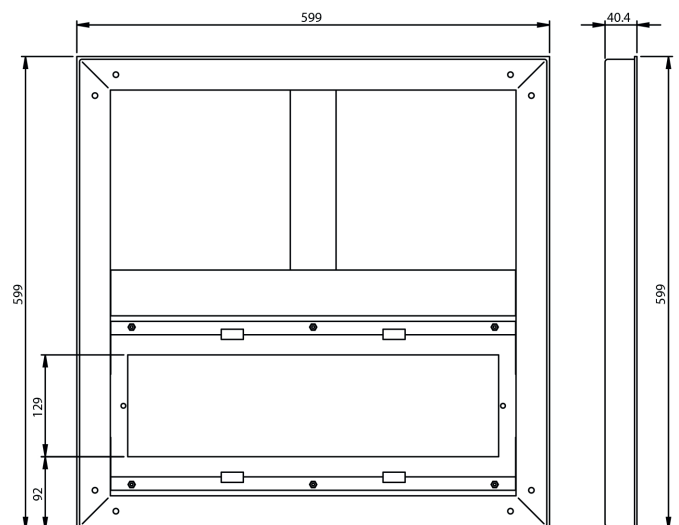
## PRODUCT OVERVIEW



View of underneath

### Features & Benefits

- Save time, simply replace the floor tile rather than cutting cable openings.
- Length 600mm x Width 600mm x Height 40.4mm
- 1 off 470mm x 129mm double brushed cable access position
- Custom built to suit any raised floor height.
- Includes single safety plate for use when no cables are installed.
- Powder coated grey as standard
- Part Number: EDP-25004



Ver: EDPSOBT0623.1